

- Tank Type Horizontal **Bradex**<sup>®</sup>
- Surface-Mounted
- ADA Compliant

### Product Materials

**BODY:** 20 gauge stainless steel with exposed surfaces in architectural satin finish.

**BACK:** 20 gauge stainless steel; welded to the body.

**WALL PLATE:** stainless steel.

**SOAP VALVE:** chrome-plated brass housing with ABS plastic mechanism.

### Capacity

40 oz. liquid soap.

### Operation

Push-in valve dispenses measured amount of vegetable or coconut oil liquid soaps, synthetic detergents, and antiseptic solutions with less than 5 lbs. of force. Sight gauge indicates refill time. Locked filler top opens with special key provided.

- Bradley liquid soap valves operate best with any vegetable oil or coconut oil hand soap having a 10–15% soap concentration.

### Installation

Verify all rough-in dimensions prior to installation. Secure separate mounting bracket to wall. Slide dispenser into place and secure locking screw through filler hole.

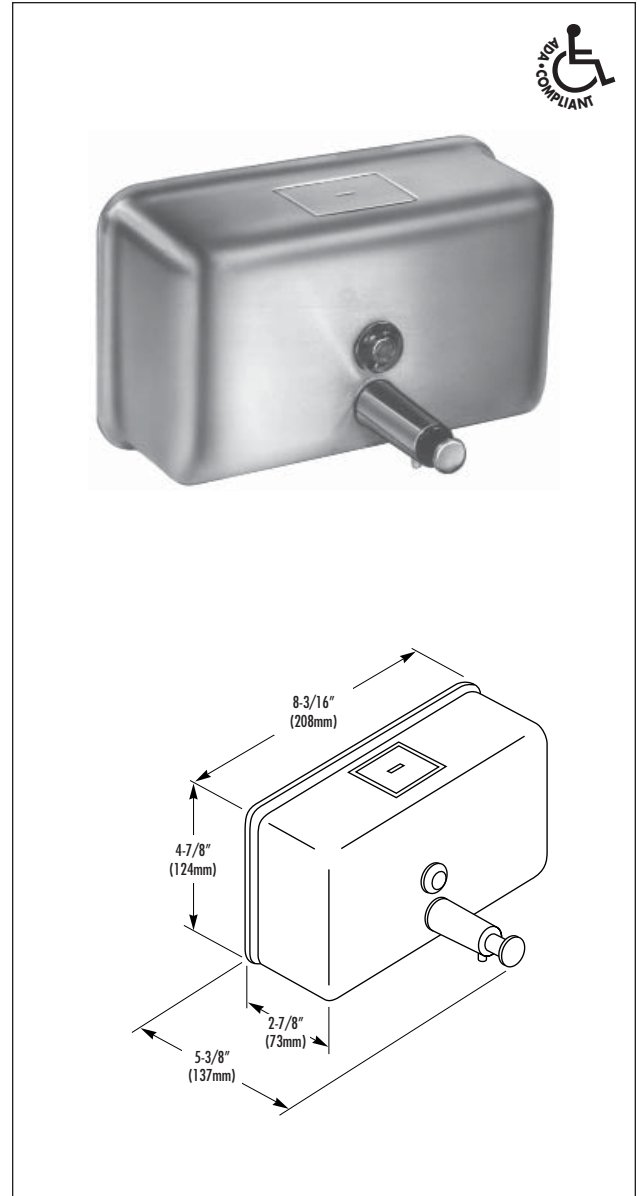
### Guide Specification

Surface-mounted liquid soap dispenser shall be fabricated of 20 gauge satin finish stainless steel. Dispenser shall have completely concealed mounting, vandal-resistant filler hole cover and sight gauge. Push-in corrosion-resistant liquid soap valve. Capacity: 40 oz. liquid soap. Requires less than 5 lbs. of force to dispense soap.

**Overall dimensions: 8-3/16"W x 4-7/8"H x 2-7/8"D.**

### ADA Compliant

- Consult local and national accessibility codes for proper installation guidelines.
- Conformity and compliance to local and national codes is the responsibility of the installer.



Washroom Accessories  
Document No. 8680

Orders composed of products indicated as **Bradex**<sup>®</sup> will be available to ship in three days after receipt of order at the factory. There is no pricing penalty for this service from Bradley.

© 2008 Bradley Corporation  
P.O. Box 309, Menomonee Falls, WI 53052-0309  
Phone: 800.BRADLEY (800.272.3539) Fax: 262.253.4161  
bradleycorp.com