

Model 5831 — Surface-Mounted
Bradex®

250 Capacity

Product Materials

UNIT: 22 gauge stainless steel with exposed surfaces in architectural satin finish. Welded construction with burr-free edges.

Capacity

250 standard single-fold or half-fold toilet seat covers.

Operation

Insert seat covers through bottom of unit.

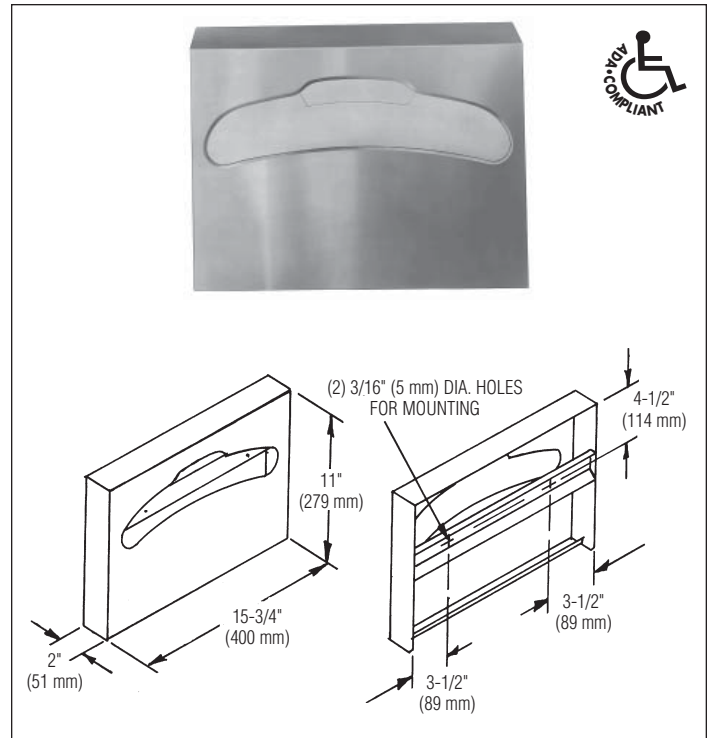
Guide Specification

Surface-mounted toilet seat cover dispenser shall be fabricated of 22-gauge stainless steel with exposed surfaces in satin finish. Capacity 250 toilet seat covers.

Overall dimensions: 15-3/4"W x 11"H x 2"D.

ADA Compliant

- Consult local and national accessibility codes for proper installation guidelines.
- Conformity and compliance to local and national codes is the responsibility of the installer.



Washroom Accessories
Document No. 8565

Orders composed of products indicated as **Bradex®** will be available to ship in three days after receipt of order at the factory. There is no pricing penalty for this service from Bradley. This information is subject to change without formal notice.

9-30-2008

© 2008 Bradley Corporation
P.O. Box 309, Menomonee Falls, WI 53052-0309
Phone: 800.BRADLEY (800.272.3539) Fax: 262.253.4161
bradleycorp.com