

### Model 5412 — Recessed **Bradex**<sup>®</sup>

- Dual Roll
- ADA Compliant

### Product Materials

**FLANGE:** 22 gauge stainless steel with exposed surfaces in architectural satin finish. Flange of one-piece seamless construction, 1" wide with 1/4" return.

**CABINET:** 22 gauge stainless steel with exposed surfaces in architectural satin finish. Welded construction with burr-free edges

**SERVICE DOOR:** 22 gauge stainless steel with exposed surfaces in architectural satin finish and tumbler lock keyed like other Bradley units. Hinged at bottom.

**SPINDLES:** molded polyethylene.

### Capacity

Two standard core toilet tissue rolls through 5" in diameter.

### Operation

Cabinet holds two rolls of 4-1/2" x 5" standard core toilet tissue, one above the other. When first roll is used up, fresh roll automatically drops down for use. Unique retaining mechanism prevents use of spare roll until first roll is completely used. Spindles non-removable by user. Hinged door permits access to storage compartment for servicing of unit.

### Installation

Verify all rough-in dimensions prior to installation. Requires rough wall opening 5-3/4"W x 10-1/2"H x 4"D. Secure to framing with mounting screws (not included) at holes provided. Shim at screw points as required.

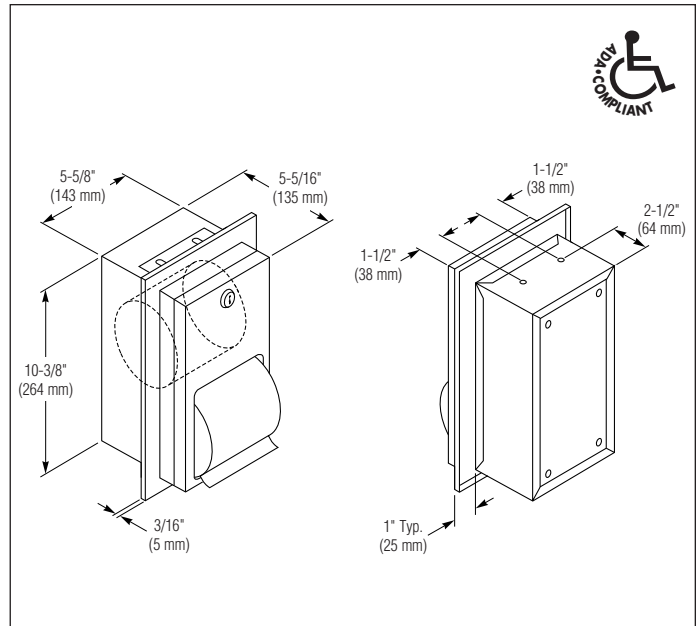
### Guide Specification

Recessed dual roll toilet tissue dispenser shall be heavy gauge satin finish stainless steel and hold two standard core toilet tissue rolls.

**Overall dimensions: 5-9/16"W x 10-3/8"H x 5-5/16"D**

### ADA Compliant

- Consult local and national accessibility codes for proper installation guidelines.
- Conformity and compliance to local and national codes is the responsibility of the installer.



**Washroom Accessories  
Document No. 8550**

Orders composed of products indicated as **Bradex**<sup>®</sup> will be available to ship in three days after receipt of order at the factory. There is no pricing penalty for this service from Bradley.

This information is subject to change without formal notice.

9-30-2008

© 2008 Bradley Corporation  
P.O. Box 309, Menomonee Falls, WI 53052-0309  
Phone: 800.BRADLEY (800.272.3539) Fax: 262.253.4161  
bradleycorp.com