

Model 356 — Surface-Mounted

- 16.5-gallon Capacity

Product Materials

RECEPTACLE: 22 gauge stainless steel with exposed surfaces in architectural satin finish. All welded construction with rounded front corners.

LINER: (optional) heavy-duty stitched vinyl-coated nylon. Part # P11-006.

HINGED COVER: (optional) 22 gauge stainless steel with exposed surfaces in architectural satin finish. Heavy-duty stainless steel piano hinge.

Capacity

16.5 gal. (2.2 cu. ft.)

Operation

Optional vinyl liner is attached to receptacle with hook-and-loop fasteners, easily removed for servicing.

Installation

Verify all rough-in dimensions prior to installation. Secure to wall with mounting screws (included) at holes provided.

Optional Features

Feature	Suffix
<input type="checkbox"/> Hinged cover	-35

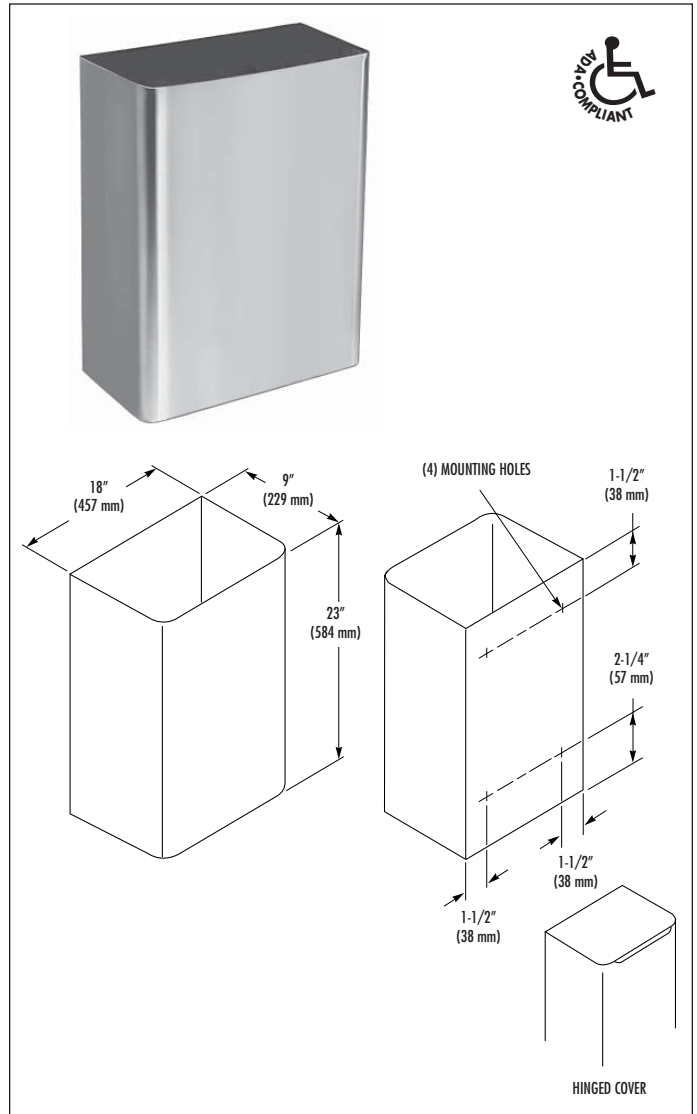
Guide Specification

Surface-mounted waste receptacle shall be fabricated of 22 gauge stainless steel with seamless exposed surfaces in satin finish. Reuseable-heavy duty vinyl liner (optional) holds 16.5 gal.

Overall dimensions: 18"W x 23"H x 9"D.

ADA Compliant

- Consult local and national accessibility codes for proper installation guidelines.
- Conformity and compliance to local and national codes is the responsibility of the installer.



Washroom Accessories
Document No. 8315