

Model 259 — Surface-Mounted
Bradex®

Roll Paper Towels

Product Materials

BRACKET: die-cast aluminum.

SPINDLE: die-cast aluminum with stainless steel spring.

Capacity

One roll standard core paper towels to 6" diameter.

Operation

Remove tissue roll core to access special locking mechanism for servicing. Stops on spindle control paper delivery. Spindle revolves only 1/2 turn for each dispensing operation and returns to original position.

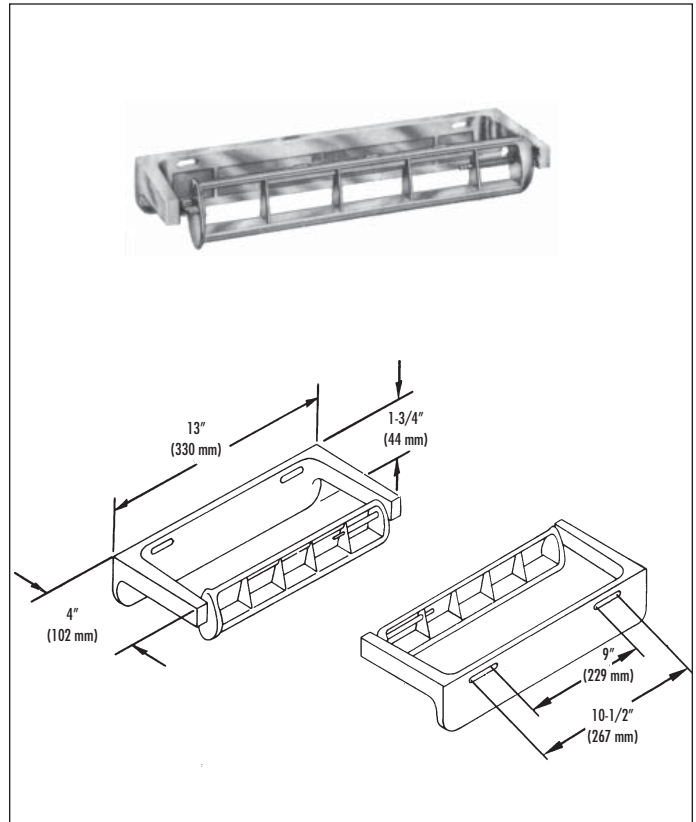
Installation

Verify all rough-in dimensions prior to installation. Secure to wall with mounting screws (included) at holes provided.

Guide Specification

Surface-mounted roll paper towel dispenser shall be die-cast aluminum with satin finish, accommodate one standard core paper towel roll and include a controlled delivery mechanism.

Overall dimensions: 13"W x 1-3/4"H x 4"D.



Washroom Accessories
Document No. 8230

Orders composed of products indicated as **Bradex®** will be available to ship in three days after receipt of order at the factory. There is no pricing penalty for this service from Bradley.

This information is subject to change without formal notice.

Always consult local and national codes for proper installation guidelines.

Conformity and compliance to local and national codes is the responsibility of the installer.

9-30-2008

© 2008 Bradley Corporation
P.O. Box 309, Menomonee Falls, WI 53052-0309
Phone: 800.BRADLEY (800.272.3539) Fax: 262.253.4161
bradleycorp.com