

- Model 235 — Recessed **Bradex**[®]
- Model 235-10 — Semi-Recessed (recesses 2"; projects 2")
- Model 235-11 — Surface-Mounted (projects 4")
- Standard Series — Satin Finish

Product Materials

CABINET: 22 gauge stainless steel with exposed surfaces in architectural satin finish. Welded construction with seamless corners and burr-free edges.

FLANGE: 22 gauge stainless steel with exposed surfaces in architectural satin finish. One piece seamless construction, 1" wide with 1/4" return.

DOORS: 18 gauge stainless steel. Warp resistant, with full length piano hinge and tumbler lock keyed like other Bradley units.

TOWEL DISPENSER: 22 gauge stainless steel. Rolled edge on dispenser opening.

WASTE CONTAINER INSERT: leakproof molded plastic.

CUP DISPENSER (optional): 22 gauge stainless steel.

Capacity

Towel Dispenser — 800 multi-fold or 500 C-fold paper towels

Waste Receptacle Insert — 4.9 gal. (0.65 cu. ft.)

Cup Dispenser (optional) — 100 - 3 oz. cups

Operation

Towel dispenser holds multi-fold or C-fold towels without use of special adaptor. Waste receptacle insert removable for easy servicing by unlocking waste container.

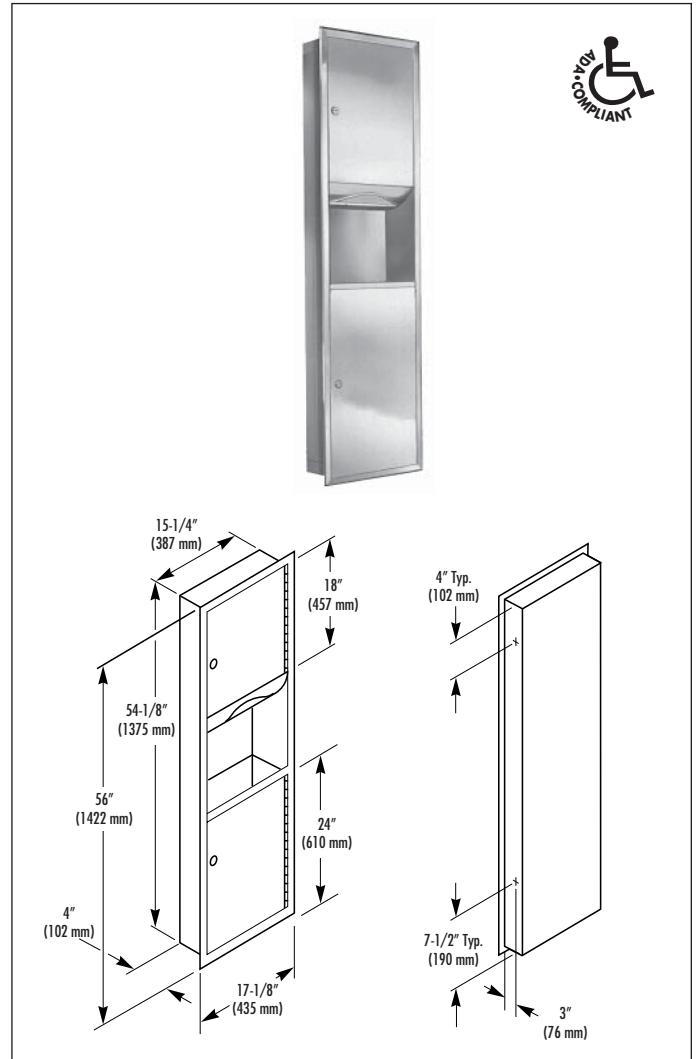
Installation

Verify all rough-in dimensions prior to installation. Recessed unit requires rough wall opening 15-3/4"W x 54-5/8"H x 4"D (Semi-recessed unit only 2" deep). Secure to framing with mounting screws (included) at holes provided. Shim at screw points as required.

Guide Specification

Recessed combination towel dispenser and waste receptacle shall be fabricated of 22 gauge stainless steel with exposed surfaces in satin finish. Cabinet doors of warp-free construction, equipped with full length piano hinge and secured by tumbler lock. Towel dispenser capacity 800 multi-fold or 500 C-fold towels. Removable 4.9 gal. leakproof molded plastic insert for waste receptacle.

Overall dimensions: 17-1/8"W x 56"H x 4"D.



Optional Features

| Feature | Suffix |
|--|--------|
| <input type="checkbox"/> Mirrored door | -19 |
| <input type="checkbox"/> Cup dispenser | -27 |
| <input type="checkbox"/> Self-closing push-flap door | -35 |

ADA Compliant

- Consult local and national accessibility codes for proper installation guidelines.
- Conformity and compliance to local and national codes is the responsibility of the installer.

Washroom Accessories
Document No. 8135

Orders composed of products indicated as **Bradex**[®] will be available to ship in three days after receipt of order at the factory. There is no pricing penalty for this service from Bradley.

This information is subject to change without formal notice.

9-30-2008

© 2008 Bradley Corporation
P.O. Box 309, Menomonee Falls, WI 53052-0309
Phone: 800.BRADLEY (800.272.3539) Fax: 262.253.4161
bradleycorp.com